

12" Square "Wave" Suction Outlet Cover and 12" Deep PVC Sump

VGB Series

Product Specification Sheet

The AquaStar line of suction outlet covers, compliant with the new Virginia Graeme-Baker Pool and Spa Safety Act (ASME/ANSI A112.19.8a-2008)

Features

For single or multiple drain use (see installation instructions)

Single

Floor/wall: 361 GPM at 1.3 fps

Floor/wall: 400 GPM at 1.5 fps

85.2 square inch opening

#316 stainless steel screws

Manufactured from superior UV-resistant engineered polymers

Meets or exceeds NSF 50/ASME/ANSI A112.19.8a-2008 national standards and ASTM G154 UV testing

Top frame and cover available in eight colors

12" deep sump made of NSF-rated PVC, no need for transitional glues

Two 2½" x 2" S/S bottom ports with 2" FPT (inside sump)

Optional: special 4" connector tee available with 4" x 3" S/S reducer bushing (see p/n BFB101) and 6" pipe connector

Double-safety design allows for secondary grate attachment

1 per case

NEW especially designed and engineered for ALL 1.0 and 1.5 fps states – great for gravity drain systems as well as direct suction

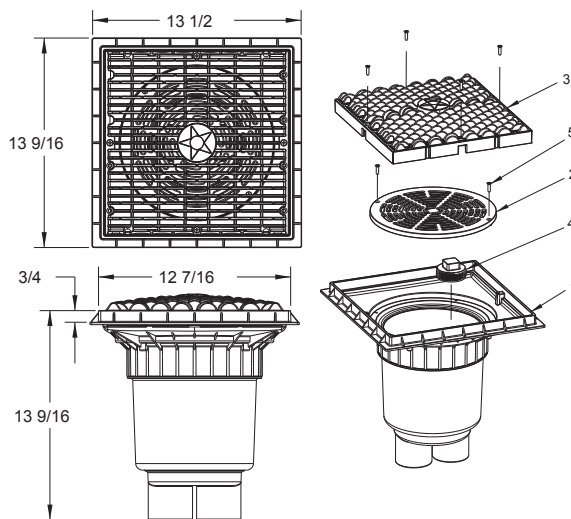


Model # WAV12DDSBXXX

Part Numbers / Colors

- WAV12DDSB101 White
- WAV12DDSB102 Black
- WAV12DDSB103 Lt. Gray
- WAV12DDSB104 Blue
- WAV12DDSB105 Dk. Gray
- WAV12DDSB106 Bone
- WAV12DDSB107 Taupe
- WAV12DDSB108 Tan

VGB 2008 Compliant



1. 12" x 12" square sump bucket frame
2. 10" flat grate (optional)
3. 12" x 12" square wave drain
4. 2" tapered pipe thread plug, qty 1
5. #10 flat head phillips screw, qty 4