

18" Square SUN Suction Outlet Cover and Mud Frame

VGB Series

Product Specification Sheet

The AquaStar line of suction outlet covers, compliant with the new Virginia Graeme-Baker Pool and Spa Safety Act (ASME/ANSI A112.19.8a-2008)

Features

For single or multiple drain use (see installation instructions)

Floor: 405 GPM at 1.6 fps
Wall: 405 GPM at 1.6 fps

Floor/wall: 370.4 GPM at 1.5 fps

78.8 square inch opening

#316 stainless steel screws

The SUN Series has the lowest profile 9" x 9" and 12" x 12" VGB 2008 compliant suction outlets in the industry

Manufactured from superior UV-resistant engineered polymers

Easily and safely retrofits to most brands' existing frames* (see cross-reference chart and installation instructions for details and special requirements)

Mud frame included for new construction

All components (cover, adapter plate, frame, screws) meet or exceed NSF 50/ASME/ANSI A112.19.8a-2008 national standards and ASTM G154 UV testing exposure

Listed with IAPMO R&T

6 per case

NEW SUN Series

Lowest profile – great for spas and wading pools!



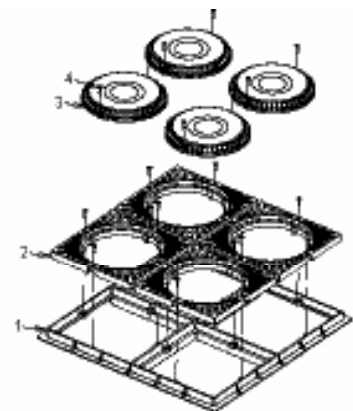
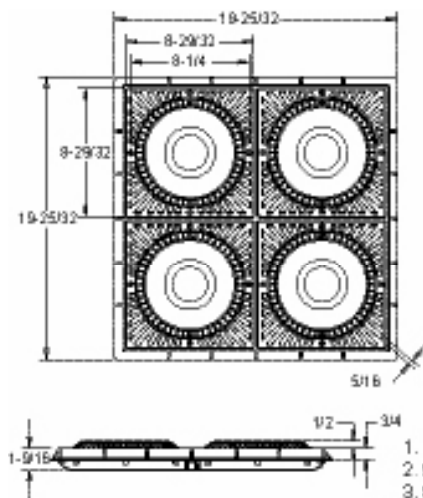
Part # SUN18xxx

*Fits: AquaStar, Pentair #1, AquaStar pre-VGB (3/4" deep frames)

Part Numbers / Colors

- SUN18101 White
- SUN18102 Black
- SUN18103 Lt. Gray
- SUN18104 Blue
- SUN18105 Dk. Gray
- SUN18106 Bone
- SUN18107 Taupe
- SUN18108 Tan

VGB 2008 Compliant



1. 18" x 18" flat square drain frame
2. 9" shallow square "SUN" to 9" round adapter
3. 9" round anti-entrapment suction outlet cover
4. #10 x 3/4" flat head philips type-a screw, 318 ss qty 24