

Super High Flow 8" Anti-Entrapment Suction Outlet Cover and Mud Frame

VGB Series

Product Specification Sheet

The AquaStar line of suction outlet covers, compliant with the new Virginia Graeme-Baker Pool and Spa Safety Act (ASME/ANSI A112.19.8a-2008)

Features

For single or multiple drain use
(see installation instructions)

Single – Requires a minimum 4" sump depth
Floor: 145 GPM at 2.9 fps
Wall: 84 GPM at 1.7 fps

Single – Sumpless Configuration
Floor/wall: 92 GPM at 1.8 fps

Floor/wall: 75 GPM at 1.5 fps

16.0 square inch opening

For retrofitting without mudframe, must use four brass inserts – part # BIK4

#316 stainless steel screws

Manufactured from superior UV-resistant engineered polymers

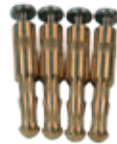
Meets or exceeds NSF 50/ASME/ANSI A112.19.8a-2008 national standards and ASTM G154 UV testing

Listed with IAPMO R&T

50 per case

NEW

Also available as sumpless configuration



Optional – to anchor directly into pool finish use four brass anchors part # BIK4

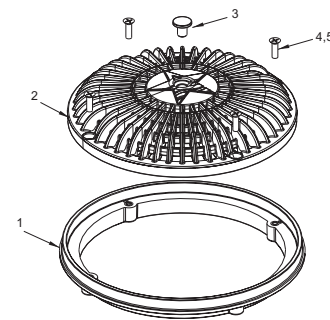
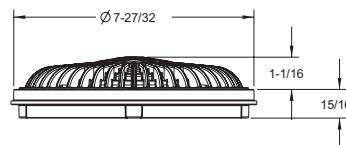
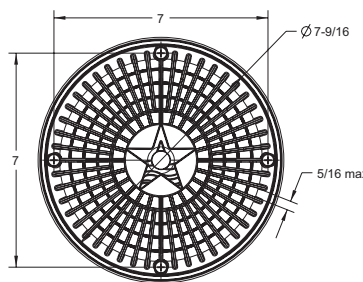
Part # A8xxx

Fits AquaStar (all 8" models), American, Pentair, Color Match, Waterway and most Custom Molded (CMP)

Part Numbers / Colors

- A8101 White
- A8102 Black
- A8103 Lt. Gray
- A8104 Blue
- A8105 Dk. Gray
- A8106 Bone
- A8107 Taupe
- A8108 Tan

VGB 2008 Compliant



1. 8" round drain frame
2. super high flow 8" round anti-entrapment cover
3. VGB 2008 "color code" swimming man
4. 10-32 x 5/8" flat head phillips machine screw, 316 ss, qty 4
5. #10 x 3/4" flat head phillips plastite screw, 316 ss, qty 4