

8" Anti-Entrapment Suction Outlet Cover and Sump

VGB Series

Product Specification Sheet

The AquaStar line of suction outlet covers, compliant with the new Virginia Graeme-Baker Pool and Spa Safety Act (ASME/ANSI A112.19.8a-2008)

Features

For single or multiple drain use
(see installation instructions)

Single

Floor: 88 GPM at 3.2 fps

Wall: 70 GPM at 2.6 fps

Floor/wall: 41 GPM at 1.5 fps

8.8 square inch opening

Meets or exceeds NSF 50/ASME/ANSI A112.19.8a-2008 national standards and ASTM G154 UV testing

Two extra 1" knock-out ports

#316 stainless steel screws

Includes 2" threaded plug and
2" x 1½" reducer bushing S/S

Listed with IAPMO R&T

8 per case

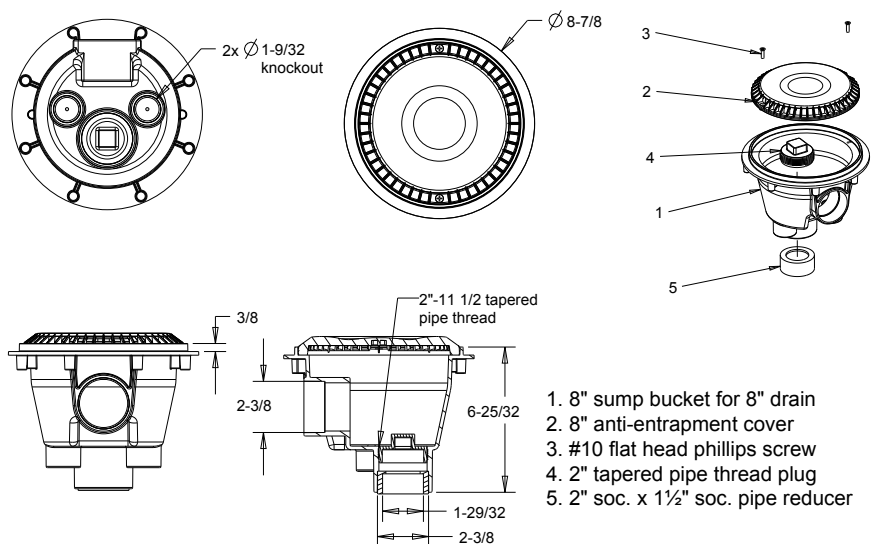


Part # 8SBxxx

Part Numbers / Colors

- 8SB101 White
- 8SB102 Black
- 8SB103 Lt. Gray
- 8SB104 Blue
- 8SB105 Dk. Gray
- 8SB106 Bone
- 8SB107 Taupe
- 8SB108 Tan

VGB 2008 Compliant



1. 8" sump bucket for 8" drain
2. 8" anti-entrapment cover
3. #10 flat head phillips screw
4. 2" tapered pipe thread plug
5. 2" soc. x 1½" soc. pipe reducer