

8" Color Choice™ Suction Outlet Cover, Insert and Frame

VGB Series

Product Specification Sheet

The AquaStar line of suction outlet covers, compliant with the new Virginia Graeme-Baker Pool and Spa Safety Act (ASME/ANSI A112.19.8a-2008)

Features

For single or multiple drain use (see installation instructions)

Single

Floor: 104 GPM at 3.2 fps

Wall: 76 GPM at 2.3 fps

Dual

Floor: 104 GPM at 1.6 fps

Wall: 76 GPM at 1.2 fps

Triple system

Floor: 208 GPM at 2.2 fps

Wall: 152 GPM at 1.5 fps

Floor/wall: 150 GPM at 1.5 fps

10.6 square inch opening

Meets or exceeds NSF 50/ASME/ANSI A112.19.8a-2008 national standards and ASTM G154 UV testing

UV tested Everclear® material 1500 hours

Fill middle insert to match any pool finish; provides secondary anti-entrapment protection in case lid is removed*

Vented, clear lid protects finish

U.S. patents 6,209,586; 6,340,035; 6,557,588

#316 stainless steel screws

Manufactured from superior UV-resistant engineered polymers

Listed with IAPMO R&T

50 per case



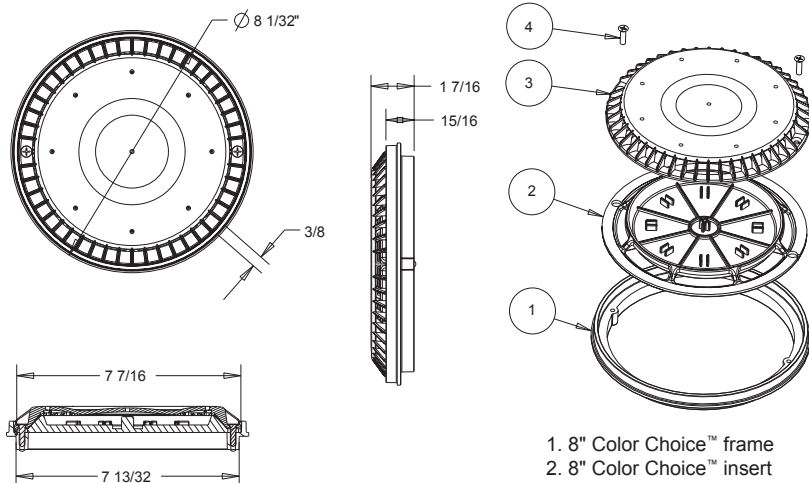
Model # 8CCxxx

*Also available in "pebble printed" version as "double safety" outlet

Part Numbers / Colors

- 8CC101 White
- 8CC102 Black
- 8CC103 Lt. Gray
- 8CC104 Blue
- 8CC105 Dk. Gray
- 8CC106 Bone
- 8CC107 Taupe
- 8CC108 Tan

**VGB 2008
Compliant**



1. 8" Color Choice™ frame
2. 8" Color Choice™ insert
3. 8" Color Choice™ cover
4. #10 flat head phillips screw