

32" Channel Drain Pinhole Anti-Entrapment Suction Outlet Cover and Three-Port Manufactured Sump

VGB Series

The AquaStar line of suction outlet covers, compliant with the new Virginia Graeme-Baker Pool and Spa Safety Act (ANSI/APSP 16-2011 AND NSF 50-2008)

Features

For single or multiple drain use (see installation instructions for plumbing, hydrostatic valve/drain pipe and single or multi-pump connections)

Single – 3" sump depth

Floor: 268 GPM at 3.1 fps

Wall: 172 GPM at 2.0 fps

Floor/Wall: 131 at 1.5 fps

27.9 square inch opening

#316 stainless steel screws

Manufactured from superior UV-resistant engineered polymers

Three ports: bottom 2½" OD, 2" ID S/S; inside 2" threaded FPT; two 2" threaded plugs included

All components meet or exceed ANSI/APSP 16-2011 AND NSF 50-2008 national standards and ASTM G154 UV testing exposure

Orange disposable plastic pre-gunite/plaster insert keeps debris out and retains sump shape during construction

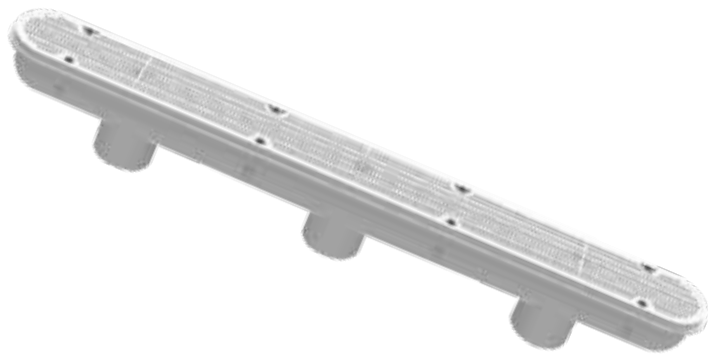
Must use transitional glue when attaching to PVC pipe

Listed with IAPMO R&T

4 per case

The Unblockable!™

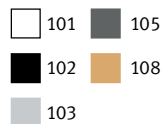
NEW



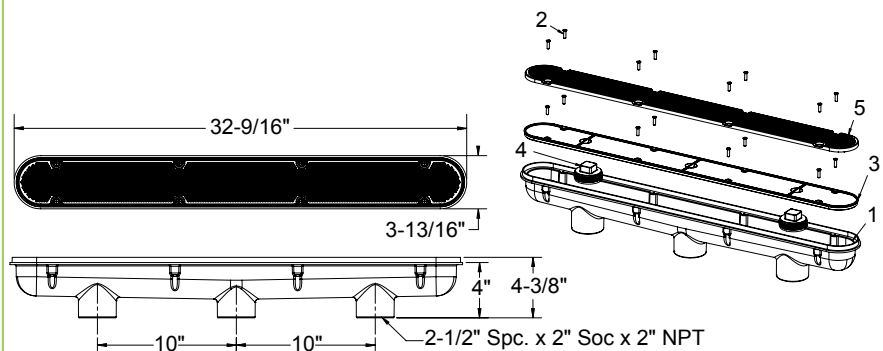
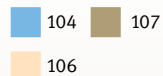
Part # 32CDPHxxx

Two drains in one!

STANDARD COLORS



OPTIONAL COLORS



1. 32" 3 port manufactured sump
2. #10 x 3/4" flat head phillips type-a screw, 316 ss
3. 32" channel drain, plaster shield
4. 2" NPT plug
5. 32" channel drain anti-entrapment suction outlet "pinhole" cover

VGB 2008 Compliant