

# 10" Anti-Entrapment Suction Outlet Cover and 12" Deep PVC Sump

## VGB Series

### Product Specification Sheet

The AquaStar line of suction outlet covers, compliant with the new Virginia Graeme-Baker Pool and Spa Safety Act (ASME/ANSI A112.19.8a-2008)

### Features

For single or multiple drain use  
(see installation instructions)

Single

Floor: 206 GPM at 5.8 fps

Wall: 96 GPM at 2.8 fps

(For double and triple systems see 10AVxxx)

11.2 square inch opening

#316 stainless steel screws

Manufactured from superior  
UV-resistant engineered polymers

Meets or exceeds NSF 50/ASME/ANSI  
A112.19.8a-2008 national standards  
and ASTM G154 UV testing

Top frame and cover available in eight colors

12" deep sump made of NSF-rated PVC,  
no need for transitional glues

Two 2½" x 2" S/S bottom ports with  
2" FPT (inside sump)

Optional: special 4" connector tee  
available with 4" x 3" S/S reducer bushing  
(see p/n BFB101) and 6" pipe connector

Double-safety design allows for secondary  
grate attachment

Listed with IAPMO R&T

1 per case

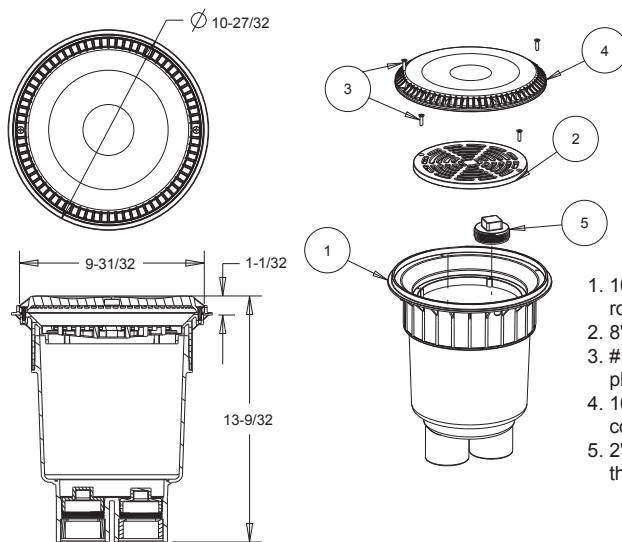


Model # 10AVDDSBxxx

### Part Numbers / Colors

- 10AVDDSB101 White
- 10AVDDSB102 Black
- 10AVDDSB103 Lt. Gray
- 10AVDDSB104 Blue
- 10AVDDSB105 Dk. Gray
- 10AVDDSB106 Bone
- 10AVDDSB107 Taupe
- 10AVDDSB108 Tan

VGB 2008 Compliant



1. 10" anti-entrapment round sump frame
2. 8" flat grate
3. #10 flat head phillips screw, qty 4
4. 10" anti-entrapment cover
5. 2" tapered pipe thread plug